

The Hawaiian Calabash

By Irving Jenkins

Out of print. But available now on Amazon at a decent price.

Mike Hunter Tools

<http://huntertoolsystems.com>

#5 Badger tool

The new "Phoenix" tool

Use code "Maui" at checkout for a 15% discount on any Hunter tool

Pewa Resources

Mark Stebbins. Big Island of Hawaii

<http://www.bigislandengraving.com>

Wood used today was "Milo"

Thespesia Populnea

Emiliano Achaval

achaval@yahoo.com

www.hawaiiankoaturner.com

Cell# 808-854 1028

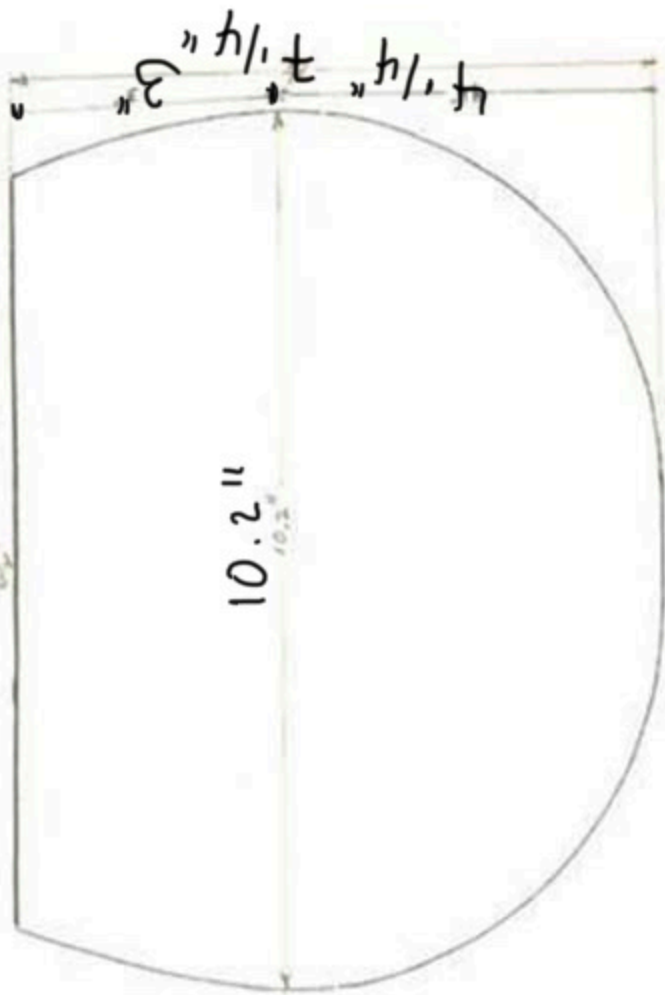
Email me with any questions.

Thank you for the opportunity to let me show you what I do.

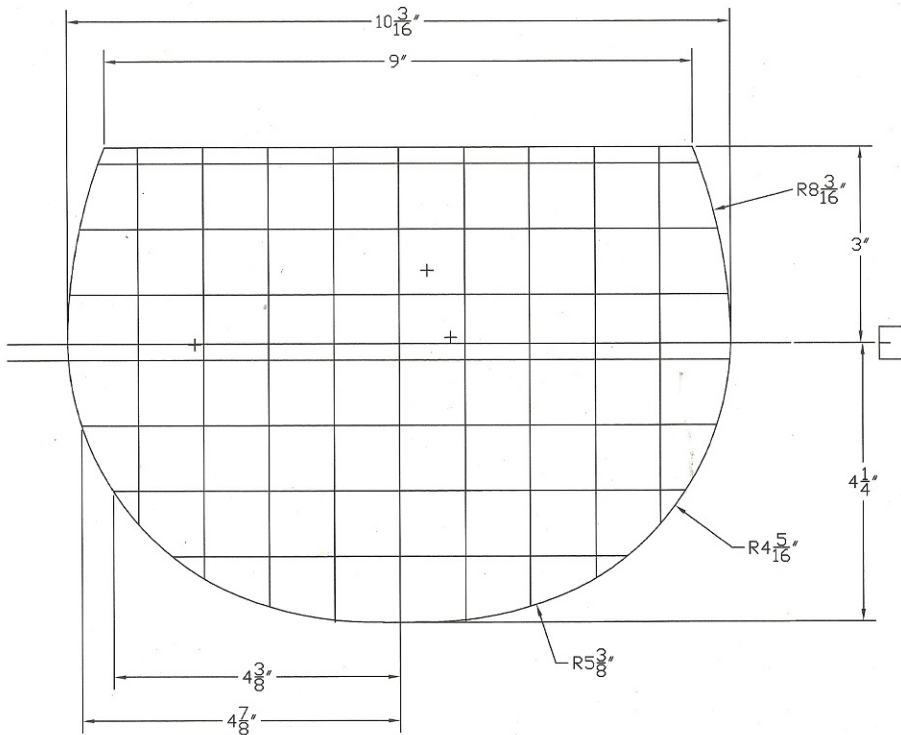
When you visit Maui, stop by the Studio and say hello.

Aloha!

6 1/2"

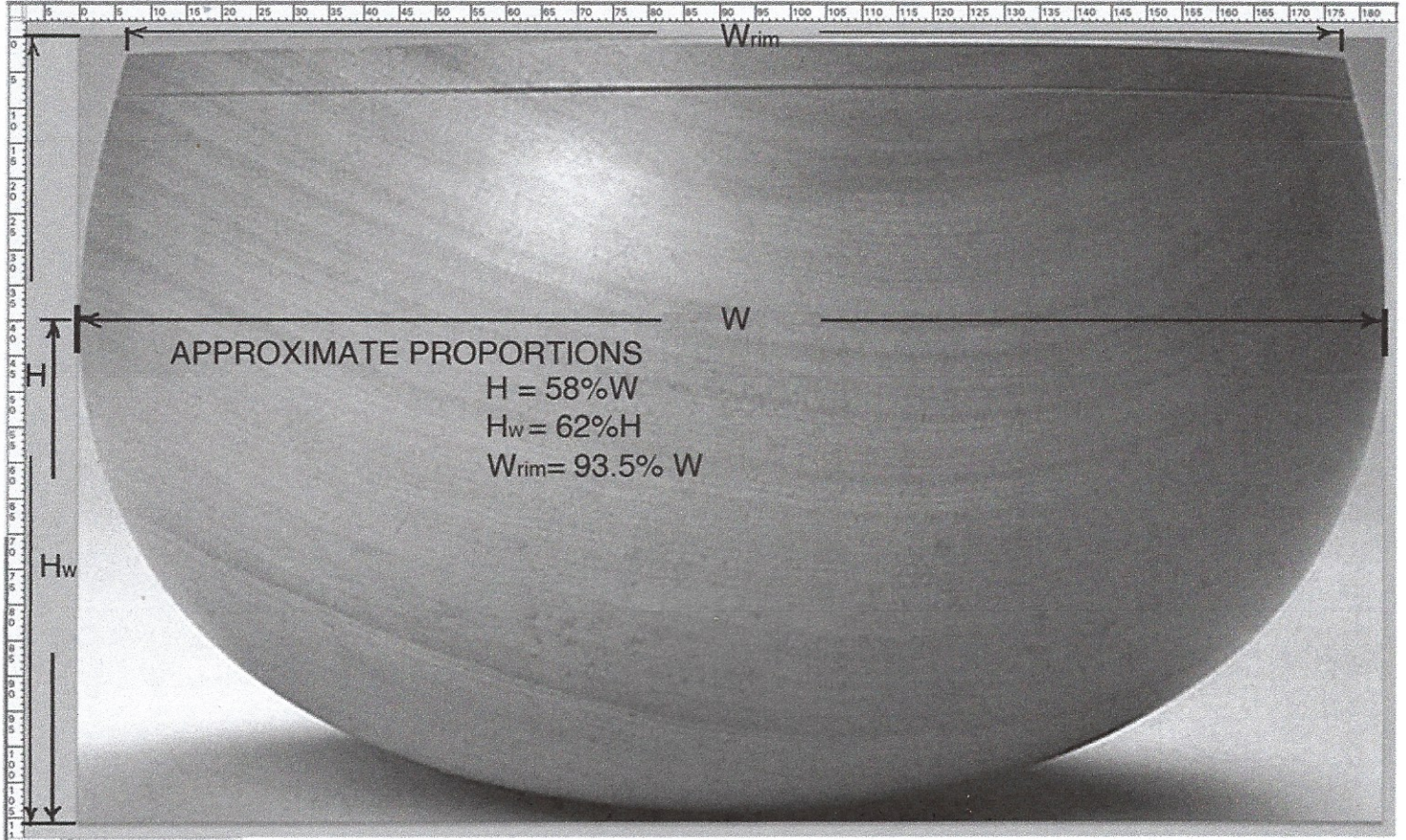


"TRADITIONAL CAISSON" SHAPE



Width	Height	Hw	Wrim
10	5.80	3.60	9.35

Proportional measurements shown in percentage of the widest diameter (W) of a bowl turned by Bill Luce.



Sketch by Jon Ogata, Oct 2016